

NAME OF LEARNER:  
*NAAM VAN LEERDER:*

CLASS:  
*KLAS:*

**NATIONAL SENIOR CERTIFICATE  
*NASIONALE SENIOR SERTIFIKAAT***

**MATHEMATICS P2/*WISKUNDE V2***

**GRADE/*GRAAD* 10**


**NOVEMBER 2017**

**SPECIAL ANSWER BOOK  
*SPESIALE ANTWOORDEBOEK***

<b>QUESTION <i>VRAAG</i></b>	<b>MARK <i>PUNT</i></b>			<b>INITIAL <i>PARAAF</i></b>	<b>MODERATION <i>MODERERING</i></b>			<b>INITIAL <i>PARAAF</i></b>
1								
2								
3								
4								
5								
6								
7								
8								
9								
<b>TOTAL <i>TOTAAL</i> (100)</b>								

**This answer book consists of 15 pages.  
*Hierdie antwoordeboek bestaan uit 15 bladsye.***

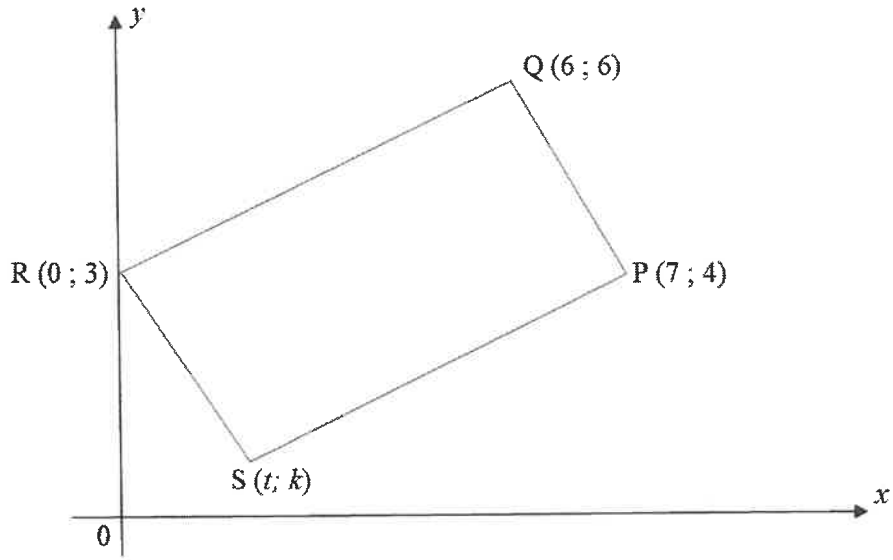
**QUESTION/VRAAG 1**

	<b>Solution/Oplissing</b>	<b>Marks Punte</b>
1.1		(2)
1.2		(2)
1.3		(3)
1.4		(3)
		
		<b>[10]</b>

**QUESTION/VRAAG 2**

	<b>Solution/Oplissing</b>	<b>Marks Punte</b>
2.1		(1)
2.2		(1)
2.3		(3)
2.4		(2)
		<b>[7]</b>

**QUESTION/VRAAG 3**



	<b>Solution/Oplissing</b>	<b>Marks Punte</b>
3.1		(2)
3.2		(3)
3.3		(2)

3.4		(4)
3.5		(2)
3.6		(3)
		<b>[16]</b>

**QUESTION/VRAAG 4**

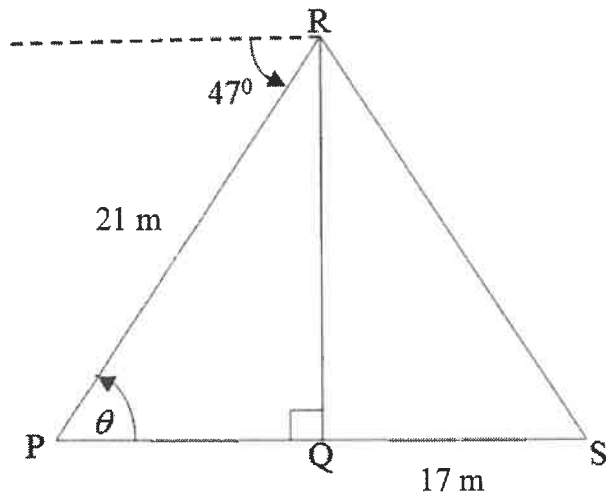
	<b>Solution/Oplissing</b>	<b>Marks Punte</b>
4.1.1(a)		(4)
4.1.1(b)		(4)
4.1.2		(3)

4.2		
		(3)
4.3		
		(2)
		<b>[16]</b>

**QUESTION/VRAAG 5**

<p>5.1</p>		<p>(6)</p>
<p>5.2.1</p>		<p>(1)</p>
<p>5.2.2</p>		<p>(2)</p>
<p>5.3.1</p>		<p>(1)</p>
<p>5.3.2</p>		<p>(3)</p>
		<p><b>[13]</b></p>

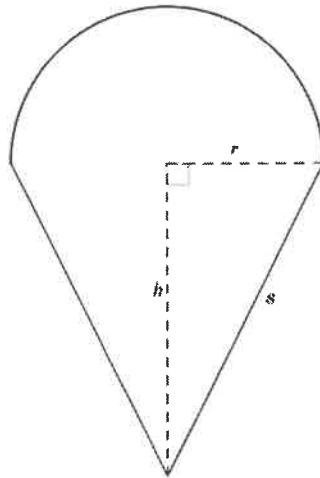
**QUESTION/VRAAG 6**



	<b>Solution/Oplissing</b>	<b>Marks Punte</b>
6.1		(1)
6.2		(3)
6.3		(2)
6.4		(4)
		<b>[10]</b>



**QUESTION/VRAAG 7**

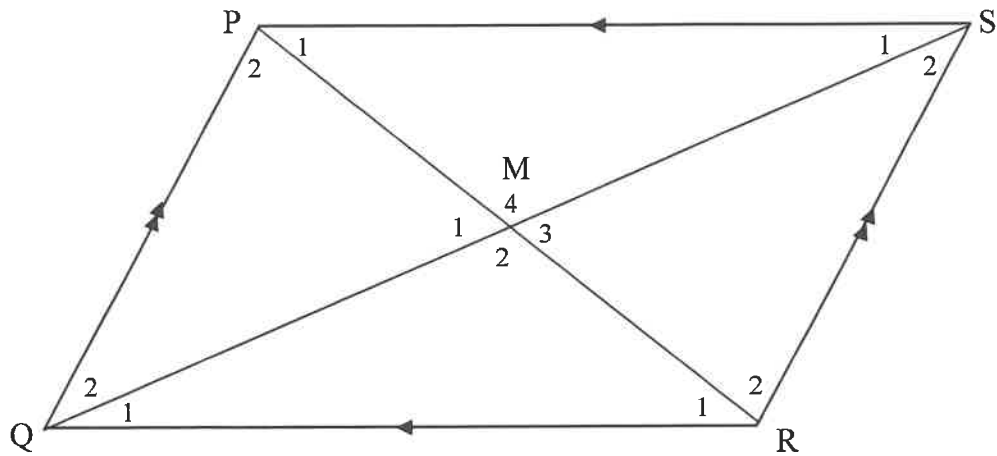


	<b>Solution/Oplissing</b>	<b>Marks Punte</b>
7.1		
		(2)
7.2		
		(2)
7.3		
		(2)
		[6]

**QUESTION/VRAAG 8**

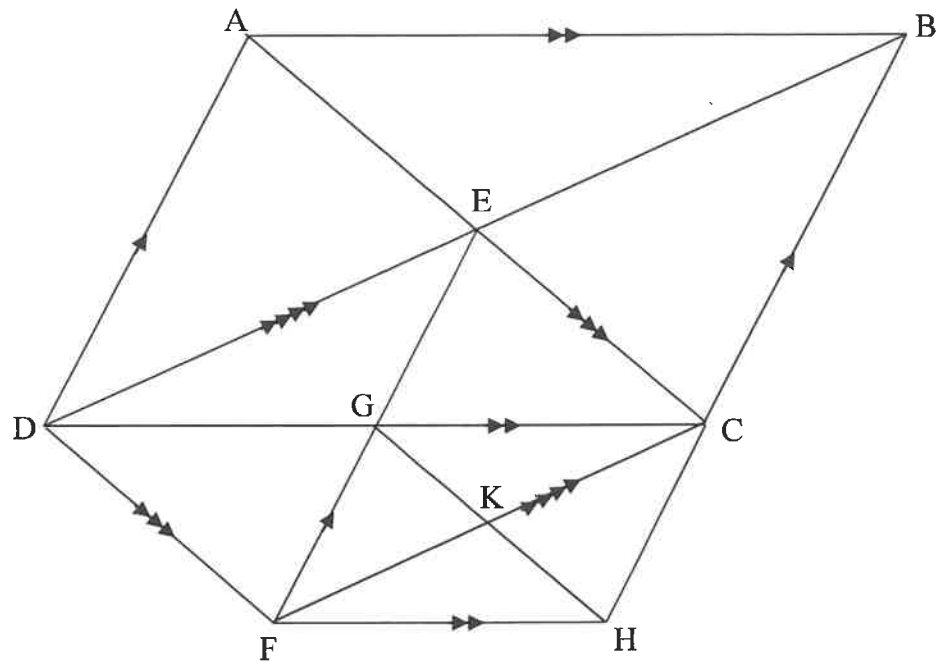
	Solution/Oplissing	Marks Punte
8.1		
8.1.1		
		(1)
8.1.2		
		(2)
8.1.3		
		(2)

8.2




(4)

8.3



---

---

---

---

---

---

---

---

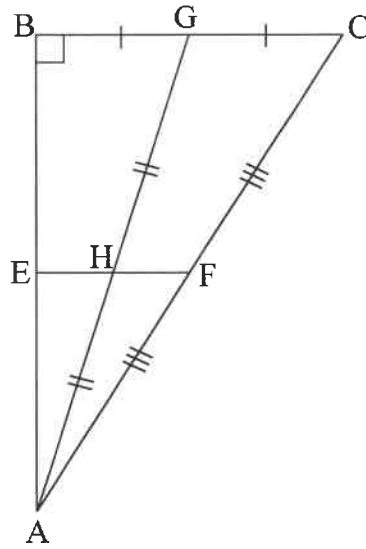
---

---

(4)

[13]

**QUESTION/VRAAG 9**



9.1		(3)
9.2		(3)
9.3		(3)
		<b>[9]</b>



